

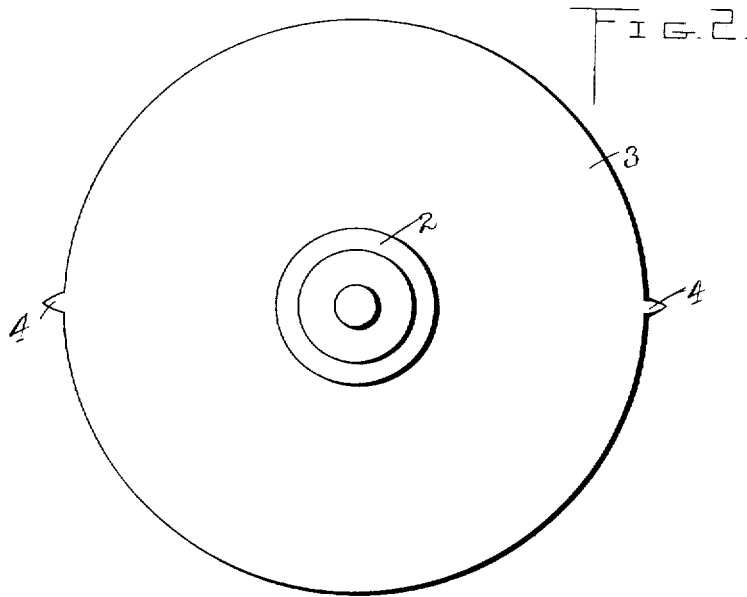
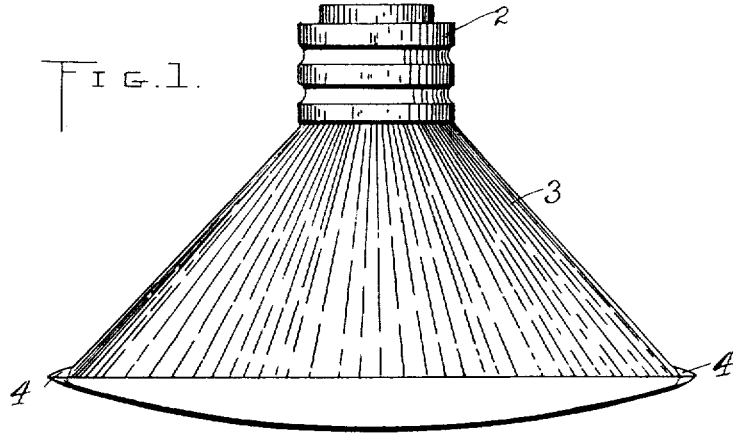
DESIGN.

E. MILLER.

BULB FOR ELECTRIC LAMPS.

No. 28,452.

Patented Apr. 5, 1898.



WITNESSES:

David B. Carpenter
Chas. F. Lewis

INVENTOR.

Edward Miller

BY

John B. Alexander

ATTORNEY.

UNITED STATES PATENT OFFICE.

EDWARD MILLER, OF AKRON, OHIO, ASSIGNOR OF TWO-THIRDS TO
ORLANDO W. GROFF AND ANTON RAPP, OF SAME PLACE.

DESIGN FOR A BULB FOR ELECTRIC LAMPS.

SPECIFICATION forming part of Design No. 28,452, dated April 5, 1898.

Application filed January 29, 1898. Serial No. 668,674. Term of patent 7 years.

To all whom it may concern:

Be it known that I, EDWARD MILLER, of Akron, in the county of Summit and State of Ohio, have invented a new and original Design for Glass Bulbs for Electric Lamps, of which the following is a full, clear, and exact description, reference being had to the accompanying drawings, forming part of this specification, in which—

Figure 1 is a side elevation of a bulb embodying my design, and Fig. 2 is a top plan view of the same.

The design relates to the shape or contour of glass bulbs employed for incandescent electric lamps, and its main feature consists in a cone-shaped bulb having its sides flared outwardly and downwardly from the base or socket.

In the drawings, 2 represents the lamp-base, and 3 the bulb, having the downwardly and outwardly flaring sides joined by a slightly-curved bottom, the protuberances 4 being at the edges of the dome-shaped portion. The dome portion may be etched or colored after the manner of reflectors.

I claim—

The design for a bulb for electric lamps substantially as herein shown and described.

In testimony whereof I have hereunto set my hand.

EDWARD MILLER.

Witnesses:

J. J. HARTER,
C. H. KNOTT.